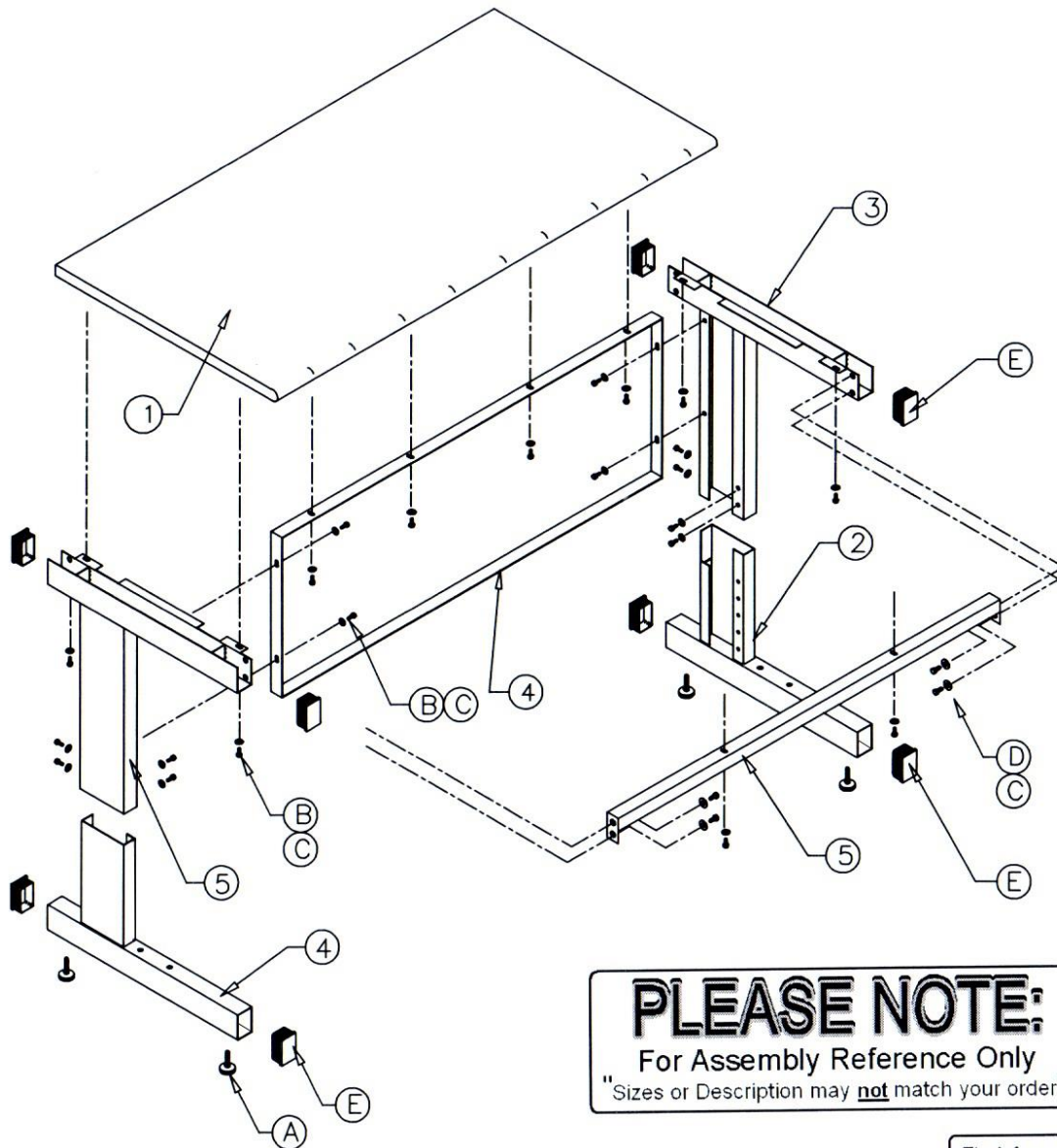


HARDWARE KIT		
HWR NO.	DESCRIPTION	QTY
HWR453	HWR KIT, 900XX SERIES	1

## 900XX SERIES ASSEMBLY STANDARD WORKSUFACE



**PLEASE NOTE:**  
For Assembly Reference Only  
"Sizes or Description may not match your order"

The information contained herein is proprietary and is not to be released or reproduced without written permission of IAC Industries, Inc.

BILL OF MATERIALS			
ITEM	PART #	DESCRIPTION	QTY
1	10600__	WKSF STD. / STD 900 SERIES	1
2	11350201	900XX PED BTM PAINT 26.00D RT	1
3	11350301	900XX PED UPR SUPT PAINT 26.00D RT	1
4	11350202	900XX PED BTM PAINT 26.00D LT	1
5	11350302	900XX PED UPR SUPT PAINT 26.00D LT	1
6	190302__	MOD PNL __.00X__.00L 900XX	1
7	120008__	SUPT BEAM SUB-ASSY FRT 1.50H IAC	1
8			

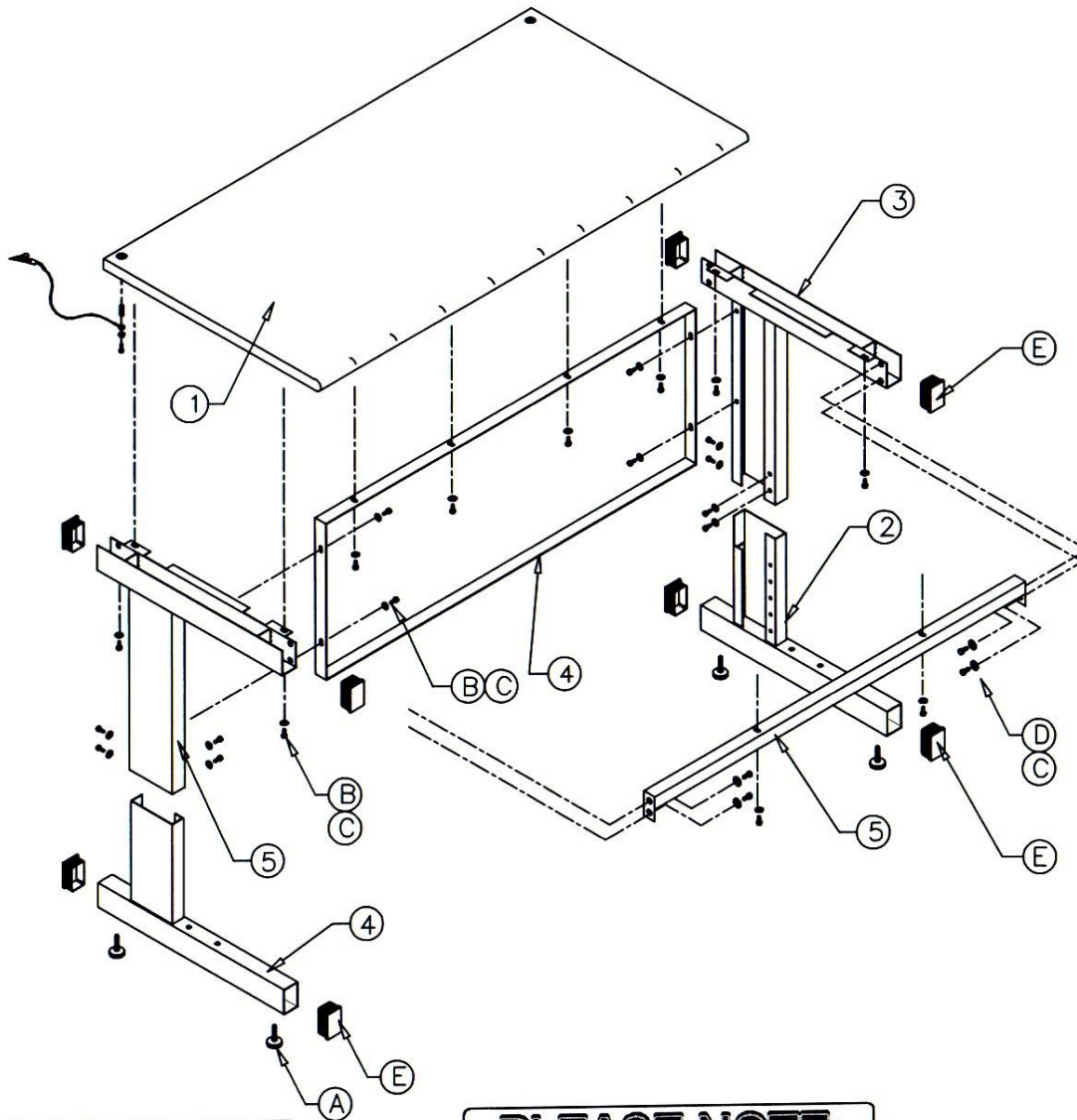
HWR453			
ITEM	PART #	DESCRIPTION	QTY
A	920028	FLOOR GLIDE 5/16-18 X 1.75 X 1.625 DIA	4
B	900032	BOLT 1/4-20 X .750 HHW BLACK	22
C	900068	WASHER 1/4 FLAT BLACK	26
D	900044	BOLT 5/16-18 X .750 HHW BLACK	4
E	920131	CAP 2.00"X3.00" 10-14 GA BLACK	8
D			

**IAC INDUSTRIES**  
3831 S BULLARD AVE. • GOODYEAR, AZ 85338  
PHONE (714) 990-8997 • FAX (714) 990-0557

HARDWARE KIT		
HWR NO.	DESCRIPTION	QTY
HWR453	HWR KIT, 900XX SERIES	1
HWR014	HWR KIT, ESD BENCH	1

**IAC INDUSTRIES**  
 3831 S BULLARD AVE. • GOODYEAR, AZ 85338  
 PHONE (714) 990-8997 • FAX (714) 990-0557

## 900XX SERIES ASSEMBLY ESD WORKSURFACE



BILL OF MATERIALS			
ITEM	PART #	DESCRIPTION	QTY
1	10600__	WKSF ESD 900 SERIES	1
2	11350201	900XX PED BTM PAINT 26.00D RT	1
3	11350301	900XX PED UPR SUPT PAINT 26.00D RT	1
4	11350202	900XX PED BTM PAINT 26.00D LT	1
5	11350302	900XX PED UPR SUPT PAINT 26.00D LT	1
6	190302__	MOD PNL __.00X__.00L 900XX	1
7	120008__	SUPT BEAM SUB-ASSY FRT 1.50H IAC	1
8			

HWR453			
ITEM	PART #	DESCRIPTION	QTY
A	920028	FLOOR GLIDE 5/16-18 X 1.75 X 1.625 DIA	4
B	900032	BOLT 1/4-20 X .750 HHW BLACK	22
C	900068	WASHER 1/4 FLAT BLACK	26
D	900044	BOLT 5/16-18 X .750 HHW BLACK	4
E	920131	CAP 2.00"X3.00" 10-14 GA BLACK	8
D			

The information contained herein is proprietary and is not to be released or reproduced without written permission of IAC Industries, Inc.

**PLEASE NOTE:**  
 For Assembly Reference Only  
 "Sizes or Description may not match your order"

